



JADE SHRINE

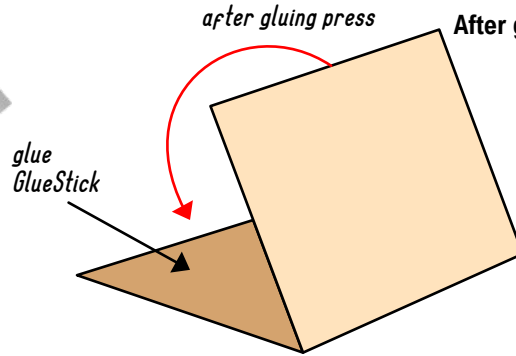
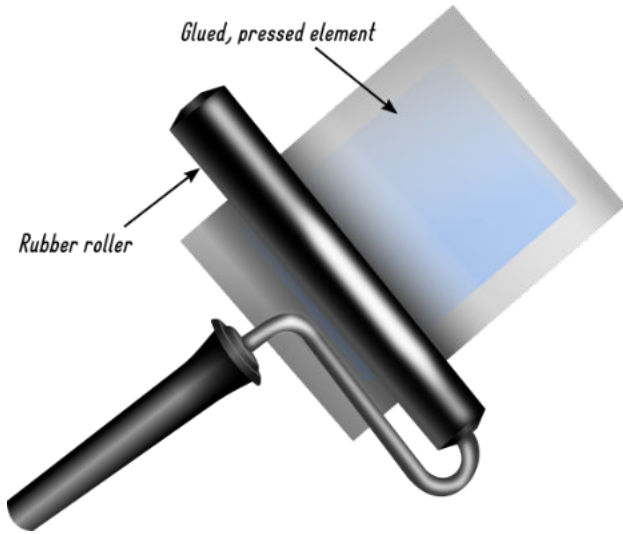
instruction



paper model for s-f, modern, ww2,
rpg and tabletop games

All Rights Reserved Copyright © 2021.
Design, geometry, textures are the property of DarekPages.
www.darekpages.eu

Model sheets print on format A4 - 170.. 200g/m2 paper or similar. The best effect will be on the Matte Photo paper. Model glueing glue with White Glue or Vicol or similar (for wood). In other elements use Glue Stick, this is stated in the instructions. Large glued flat parts must be pressed, for example with a rubber roller.



Glued GlueStick parts:

B-4.4, B-5.1, B-5.2

After glued pressed Rubber Roller.

B-1.1 - 1.16

1

B-1.1, 1.5, 1.9, 1.10

Truncate these parts when used as a floor.

2

B-1.1, 1.5, 1.9, 1.10

3

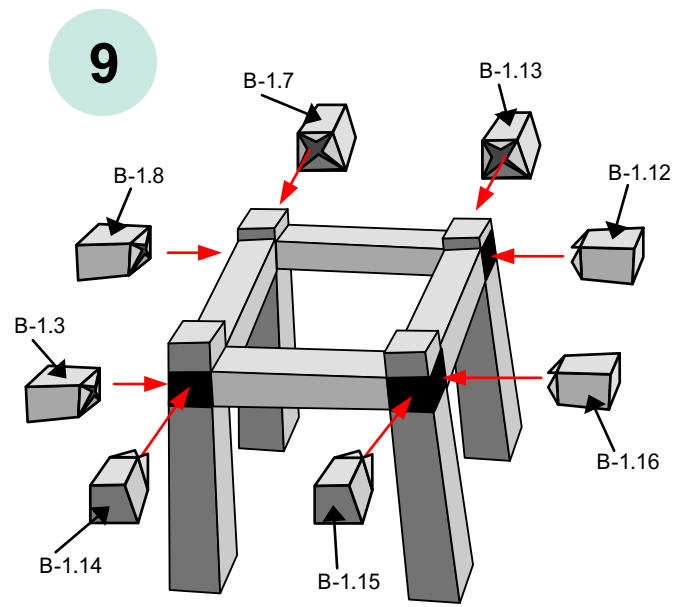
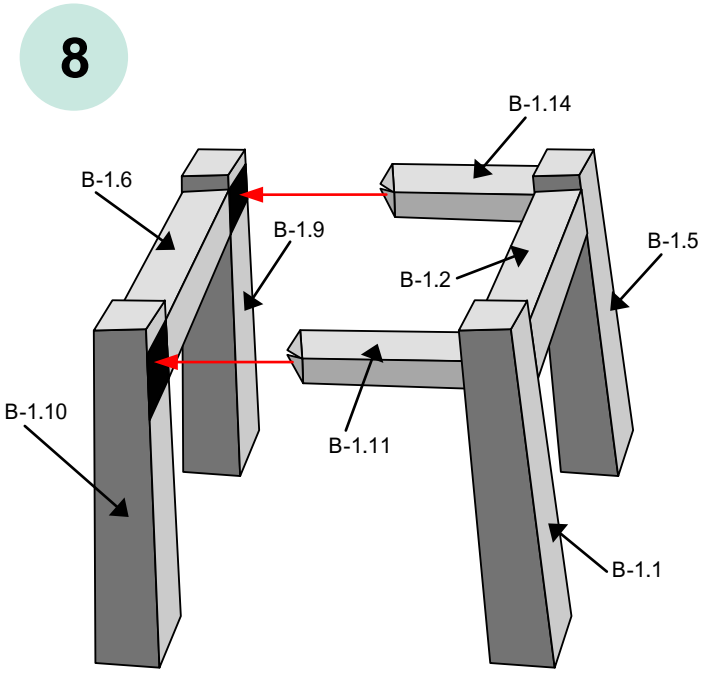
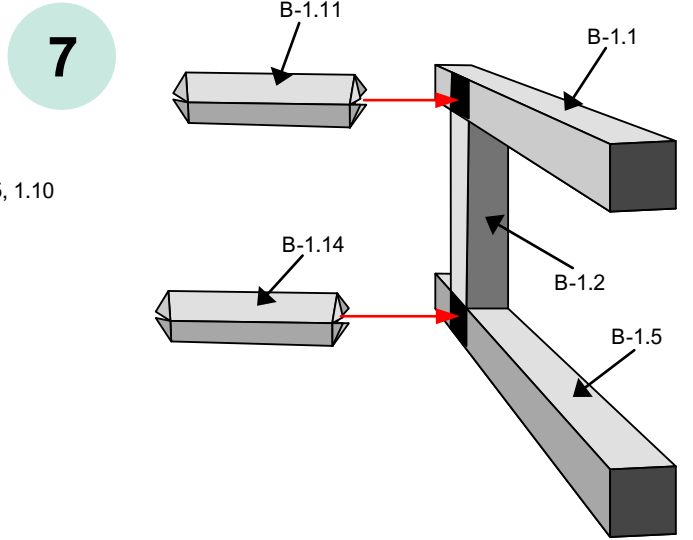
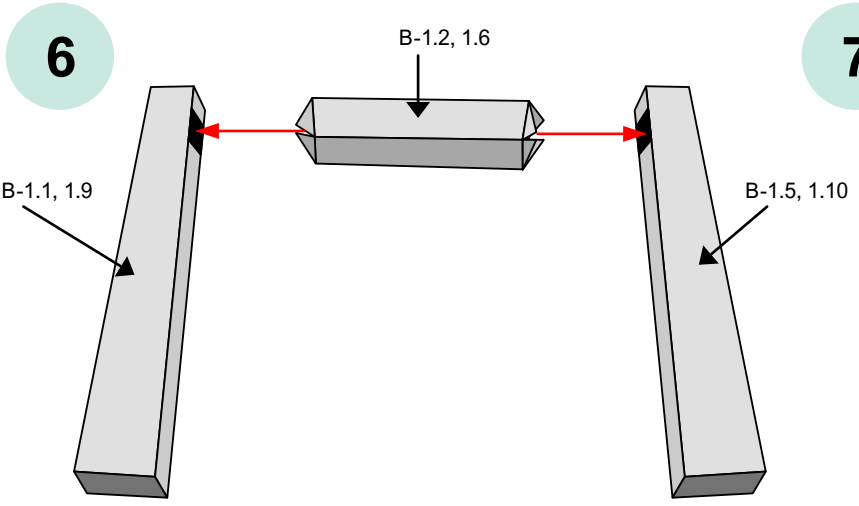
B-1.2, 1.9, 1.11, 1.14

4

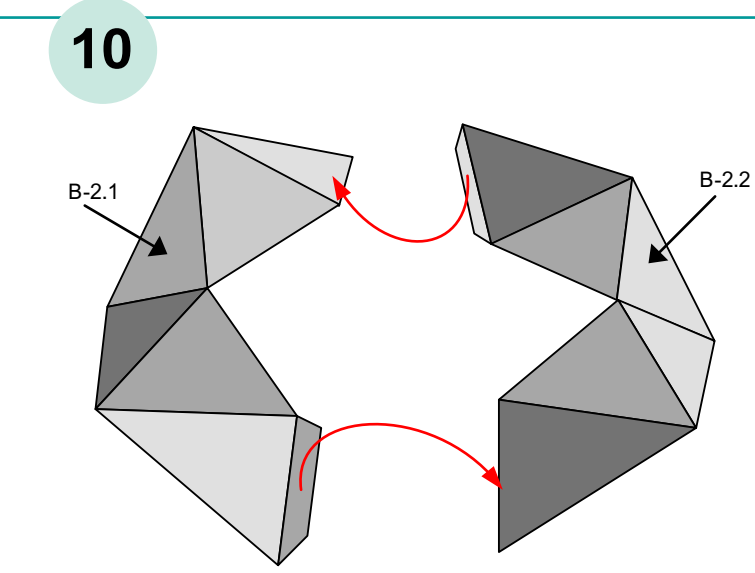
B-1.3, 1.4, 1.7, 1.8, 1.12, 1.13, 1.15, 1.16

5

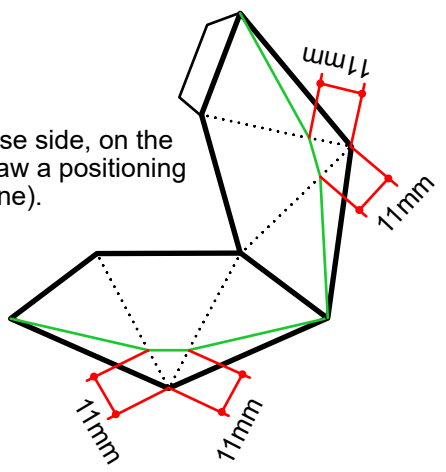
B-1.3, 1.4, 1.7, 1.8, 1.12, 1.13, 1.15, 1.16



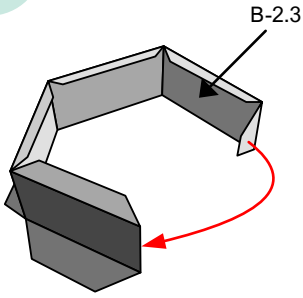
B-2.1 - 1.16



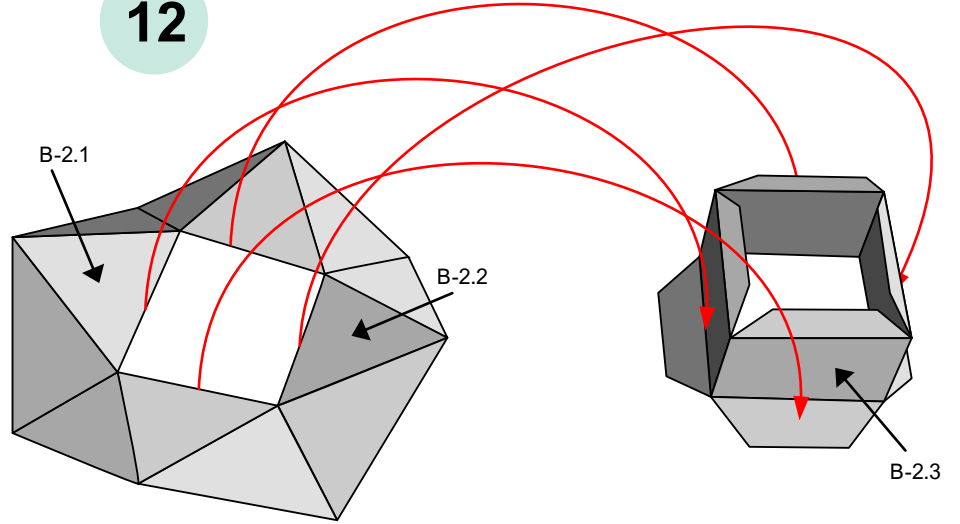
On the reverse side, on the fold lines, draw a positioning line (green line).



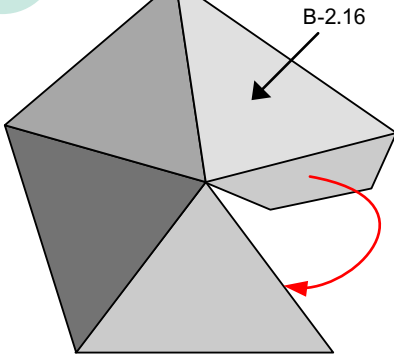
11



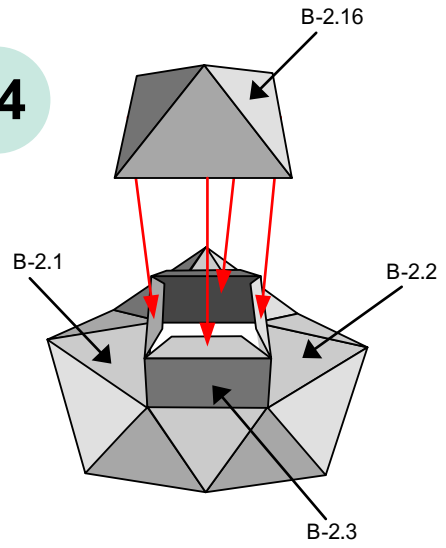
12



13

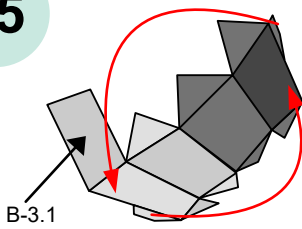


14

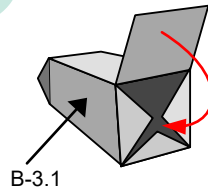


B-3.1 - 3.5

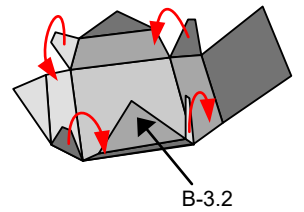
15



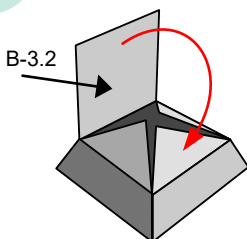
16



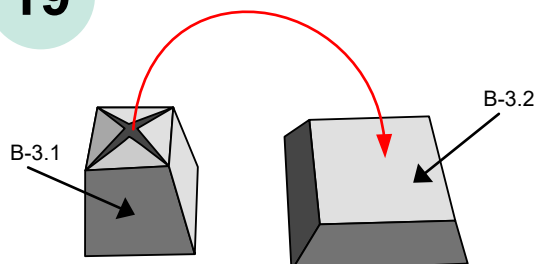
17



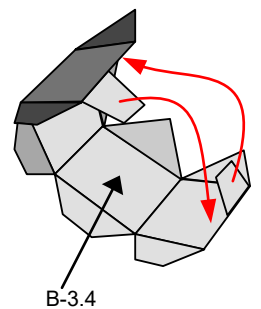
18



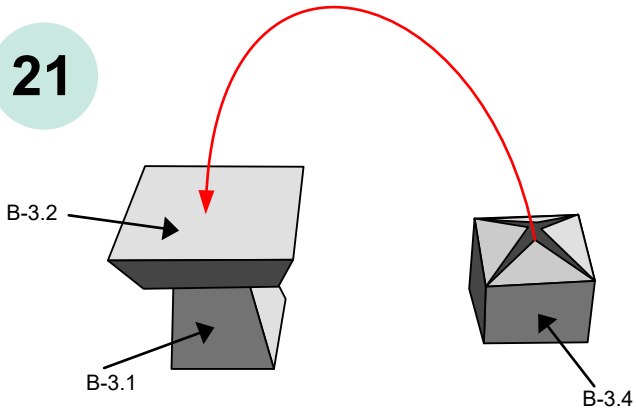
19



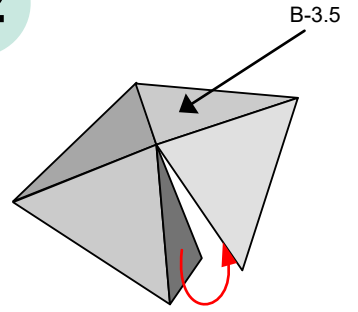
20



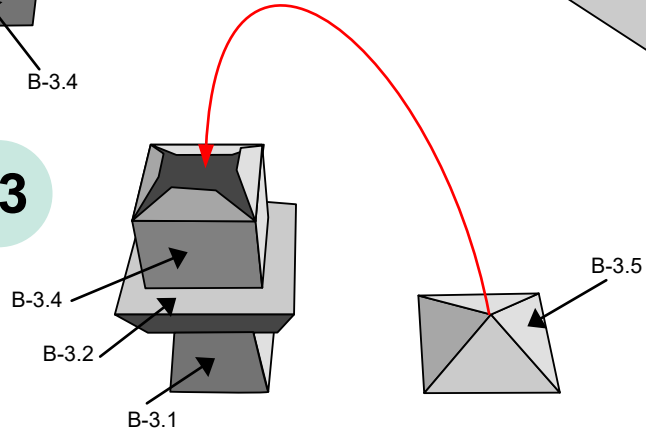
21



22

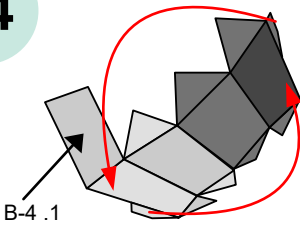


23

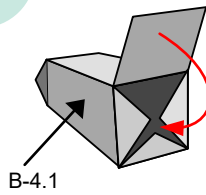


B-4.1 - 4.4

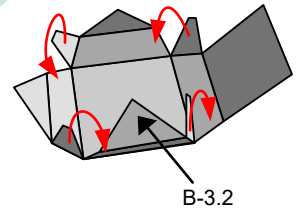
24



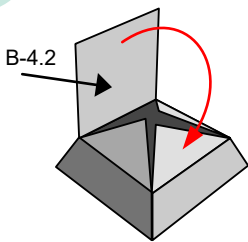
25



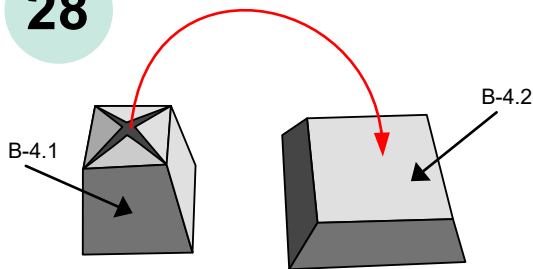
26



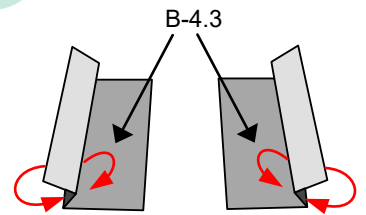
27



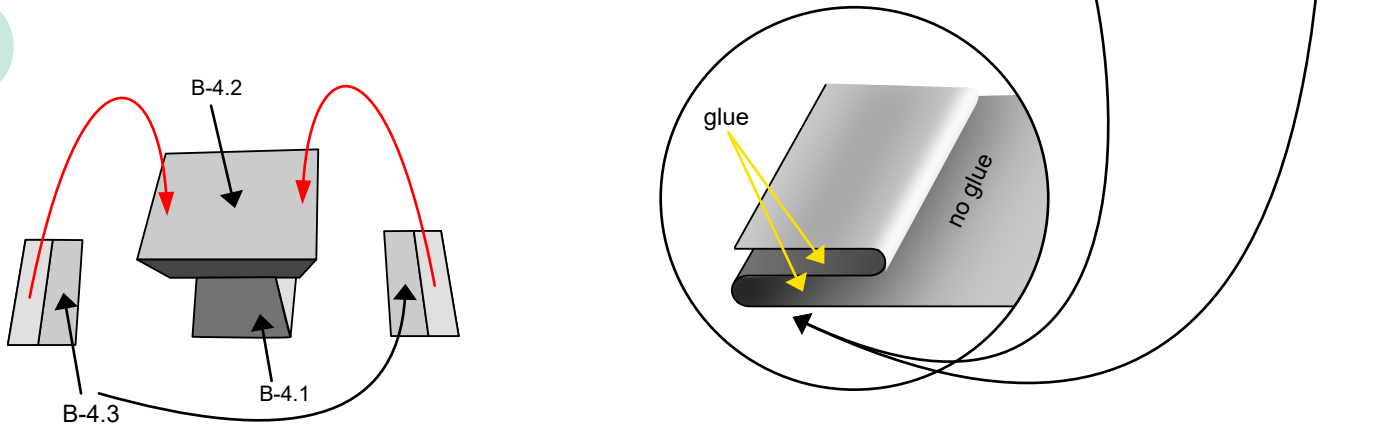
28



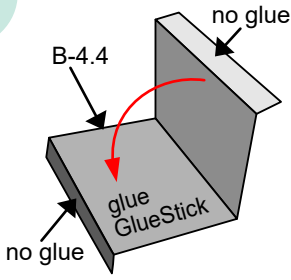
29



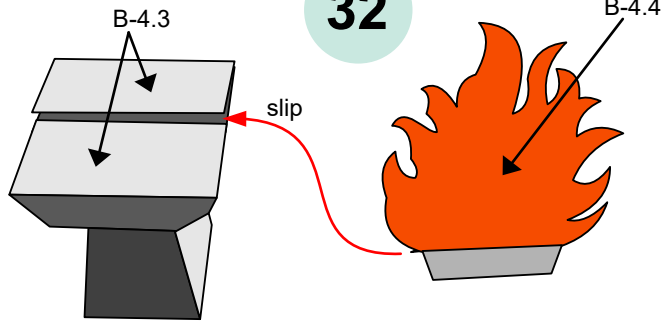
30



31

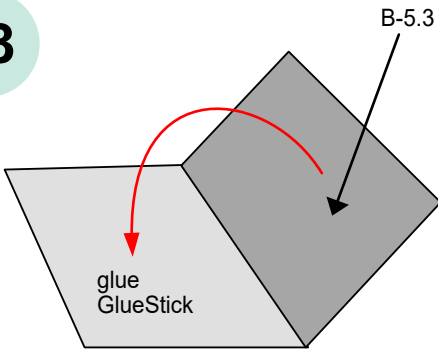


32

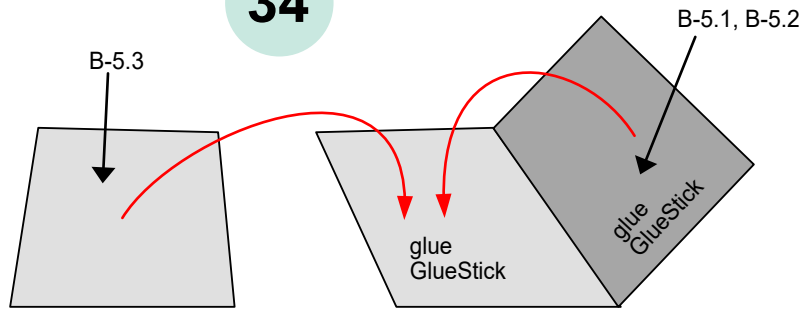


B-5.1 - 5.3

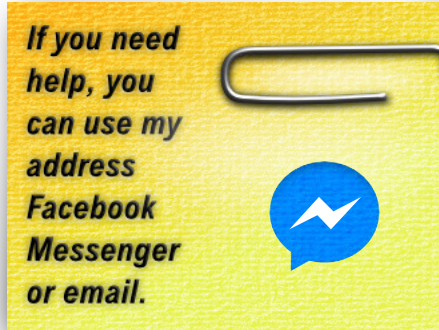
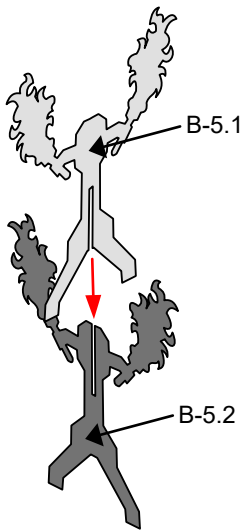
33



34



35



B-6.1 - 6.2

